

RF Terminal with N Female Connector, 50 Ω

Features

- rugged for professional use
- suitable for cable channel boxes
70 mm x 71 mm x 55 mm
- labelling strip

Applications

- RF terminal at workplaces
- signal distributions
- receiving systems
- production



Introduction to RFT-N

RFT-N is a RF terminal for use in professional RF systems.

Fields of application are RF terminals at workplaces for service, test departments,

research and development (R&D), production and receiving systems.

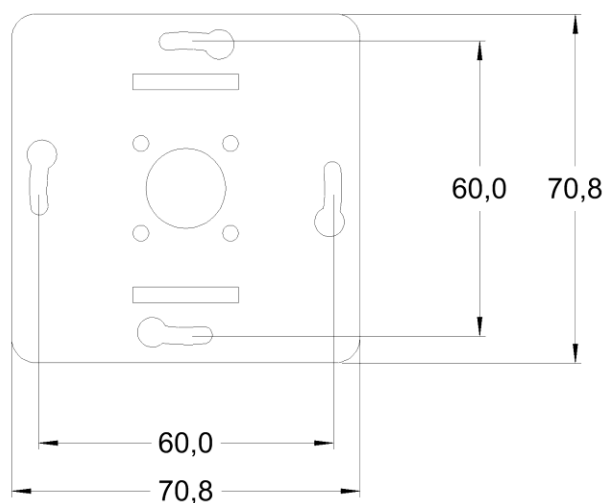
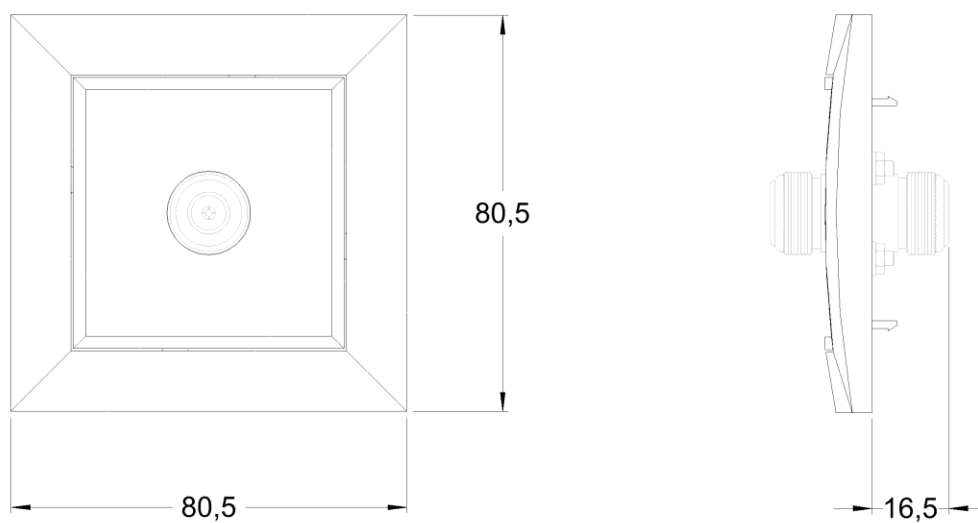
It is suitable for mounting in standard cable channel boxes.

RFT-N is equipped with a labelling strip on the front side.

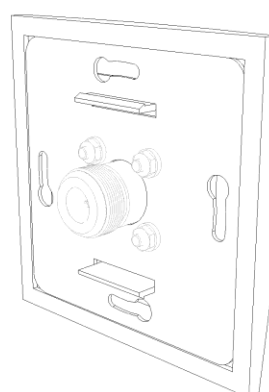
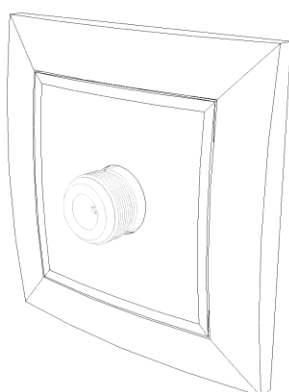
RF Specifications

Parameter	Symbol	Min.	Typ.	Max.	Unit	Condition
impedance	Z_{in} / Z_{out}		50		Ohm	
low frequency	f_{min}			0	Hz	
high frequency	f_{max}	8000			MHz	
dimensions	L x W x H	approx. 80 x 80 x 35			mm	
mounting depth		approx. 15			mm	
weight	m		150		g	
operating temp. range	T_o	+5		+40	°C	ambiance
storage temp. range	T_s	-40		+70	°C	
ordering information		RFT-N		1202.0608.1		

Dimensions



all dimensions in mm
± 0,5mm



Related Products

Product	Description	P/N
CP-N	8 Port N Connector RF Terminal with Labelling Strips	1202.0708.1

Becker Nachrichtentechnik GmbH ■ Kapellenweg 3 ■ 53567 Asbach - Germany ■ www.becker-hftechnik.de



Quality made in Germany

Subject to change in specification and design without notice.
released version 1.00 - August 2015



RoHS compliant in accordance
with EU Directive 2011/65/EU