

## 4 Channel Reflective SPDT Relay DC ... 40.000 MHz

### Features

- extremely wideband
- very low insertion loss
- high power handling
- high reliability
- up to 11 switching modules (44 Channels) in one system rack

### Applications

- microwave systems
- receiving systems
- RF switching matrices
- quality assurance
- final testing & verification
- R&D



*similar appearance*

### Scope

RSWU-4SPDTR40 is a four channel RF SPDT switch suitable for the frequency range between DC and 40.000 MHz. The four switches are coaxial relay types (reflective) and can be easily combined with other components in 50 Ohm technology.

RSWU-4SPDTR40 is designed as a slide-in module for the integration into the SR6-11C system rack. It can be controlled either via SR6-11C low-level 'Binary Interface' or the additional controller unit SR6-CU.

Additional to the SR6-CU module, up to ten RSWU switching modules can be integrated in one SR6-11C system rack. When using the 'Binary Interface', all 11 slots are available for switching modules.

### Remote Interfaces

The optional controller SR6-CU provides the interfaces LAN and USB. These interfaces could be used to control the RSWU modules by SCPI-oriented ASCII commands.

### RF Switching Matrices

In combination with the wideband signal combiner unit WSCU8X1R and the wideband signal distribution units of the WSDU series, RF cross point matrices can be realized. WSDU units are available as slide-in modules for SR6-11C, too.

### Time-critical Switching

In applications, where shortest response times are required, the switch modules can be controlled via the low-level 'Binary Interface' of the SR6-11C system rack.

This interface allows direct programming of the binary data registers inside the RSWU modules.

### Synchronous Switching

SR6-11C enables the synchronous execution of multiple commands across the whole system rack. Additionally SR6-11C provides a 'Trigger IO' interface, which allows the synchronous coupling of multiple SR6-11C system racks and other compatible devices.

## RF Specifications

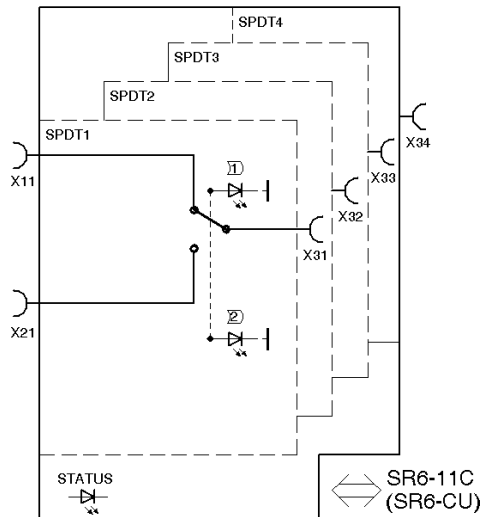
Parameter	Symbol	Min.	Typ.	Max.	Unit	Condition
impedance	$Z_{in} / Z_{out}$		50		$\Omega$	
low frequency	$f_{min}$			DC	kHz	
high frequency	$f_{max}$	40			GHz	
insertion loss	$S_{21}, S_{12}$		-0.2			f ≤ 6 GHz
			-0.3			6 GHz < f ≤ 12.4 GHz
			-0.4			12.4 GHz < f ≤ 18 GHz
			-0.6			18 GHz < f ≤ 26.5 GHz
			-0.7			26.5 GHz < f ≤ 40 GHz
return loss	$S_{11}, S_{22}$			-17		f ≤ 6 GHz
				-15		6 GHz < f ≤ 12.4 GHz
				-13		12.4 GHz < f ≤ 18 GHz
				-10		18 GHz < f ≤ 40 GHz
				-70		f ≤ 6 GHz
off isolation	$S_{21}, S_{12}$			-60		6 GHz < f ≤ 18 GHz
				-50		18 GHz < f ≤ 40 GHz
				-100		f ≤ 8.5 GHz
channel isolation	$S_{31}$		-150	-100	dB	f ≤ 8.5 GHz
transfer power (CW, switch static closed)	$P_{in\ CW}$			+49		f ≤ 6 GHz
				+46		6 GHz < f ≤ 18 GHz
				+43		18 GHz < f ≤ 26.5 GHz
				+40		26.5 GHz < f ≤ 40 GHz
switch delay	$t_{50-50}$			10	ms	50 % trigger to 50 % RF
life cycles			10 E6			
RF connectors			SMA female			

## Common Specifications

Parameter	Symbol	Min.	Typ.	Max.	Unit	Condition
power supply		23.5	24.0	24.5	V	via SR6-11C
power consumption				18	W	
dimensions	L x W x H	approx. 197 x 30 x 262			mm	6 U, 6 HP
weight			1400		g	
operating temp. range	$T_o$	+5		+55	°C	
storage temp. range	$T_s$	-40		+85	°C	
ordering information	RSWU-4SPDTR40			1408.4110.1		



## Block Diagram



## Front View (similar appearance)



## Rear View (similar appearance)



## Related Products

Product	Description	P/N
SR6-11C	System platform with 11 slots	1409.1202.1
SR6-CU	Controller unit with LAN and USB	1409.3000.1
WSDU1X8	8 way multicoupler 100 kHz ... 4000 MHz	1202.6100.1
WSCU8X1R	High dynamic 8 way combiner 100 kHz ... 4000 MHz, 50 Ω	1208.6102.1
RSWU-8SPSTS	8 channel non-reflective SPST switch 100 kHz ... 8500 MHz	1408.4000.1
RSWU-4SPDTS	4 channel non-reflective SPDT switch 100 kHz ... 8500 MHz	1408.4020.1
RSWU-2SP4TS+	2 channel non-reflective SP4T switch + 1 channel SPDT, 100 kHz ... 8500 MHz	1408.4030.1
RSWU-4SPDTR18	4 channel reflective SPDT switch DC ... 18 GHz	1408.4100.1

Becker Nachrichtentechnik GmbH ■ Kapellenweg 3 ■ 53567 Asbach - Germany ■ [www.becker-hftechnik.de](http://www.becker-hftechnik.de)



Quality made in Germany

Subject to change in specification and design without notice.  
released version 1.00 - April 2015



RoHS compliant in accordance  
with EU Directive 2011/65/EU